



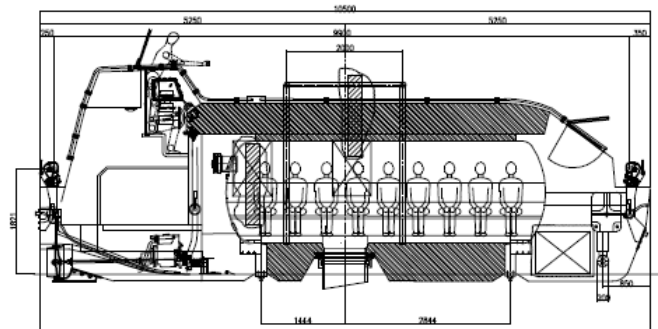
# Self Propelled Hyperbaric Lifeboat (SPHLB)

Vanguard Hyperbaric Lifeboats are designed and built to SOLAS 86 regulations and adhere closely to stringent governmental regulations.

Vanguard Hyperbaric Lifeboats ensure that our seamen are always at their safest conditions.

Incorporating a hyperbaric chamber into our lifeboats, Vanguard has the perfect solution for divers who need to maintain their atmospheric pressure during an escape from a hazardous situation.

Critical spares and expert maintenance is also available via Vanguard's extensive global network of service agents, which cover major ports around the world.



## Offshore Survival Capsules

Model	Dimension [m]	Capacity [men]	Speed [knots]	Hook Distance	Loaded [kg]
VG105/12HLB	10.58 X 3.78 X 3.75	12	>6	9.90 m	17 150
VG105/15HLB	10.58 X 3.78 X 3.75	15	>6	9.90 m	17 150
VG105/18HLB	10.58 X 3.78 X 3.75	18	>6	9.90 m	17 150

Vanguard Self Propelled Hyperbaric Lifeboat are approved by,

